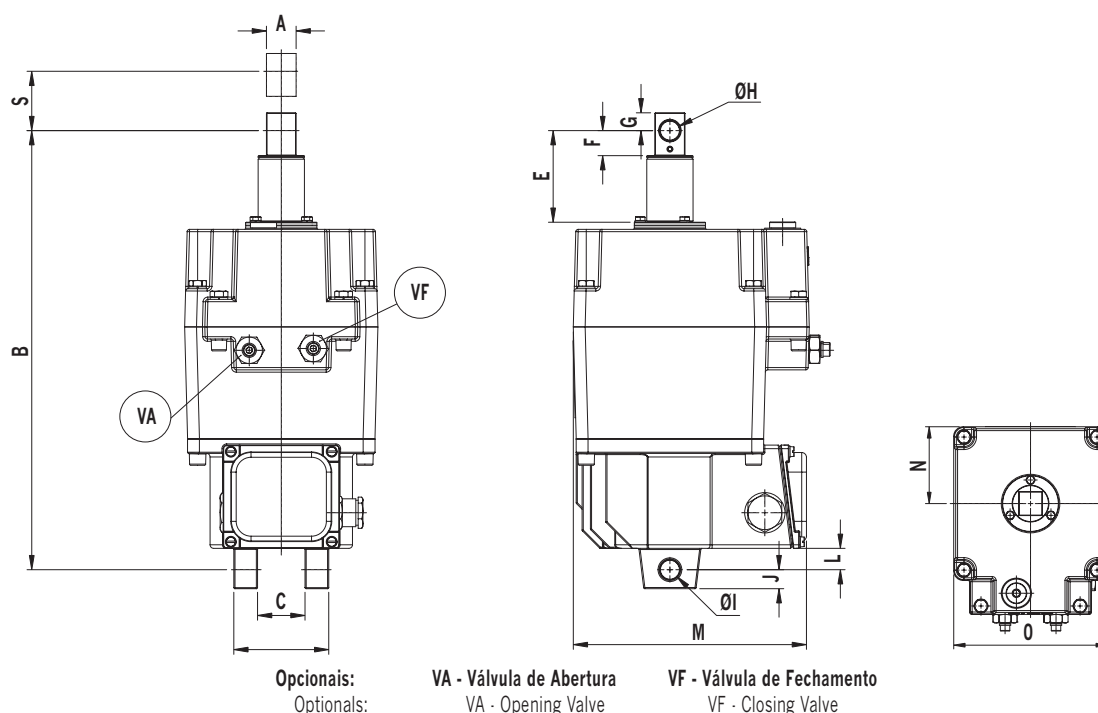


Atuadores Eletrohidráulicos – Norma DIN 15430

Electrohydraulic Thrusters – DIN 15430 Standard



Dados Técnicos / Technical Data

Modelo / Model	Força / Force [N]	Curso / Course [mm] S	Consumo / Consumption [W]	Corrente [A] 440v/60Hz Current [A] 440v/60Hz	Peso Com Óleo / Weight with Oil [kg]	Volume de Óleo / Oil Volume [L]
AEH-23/5	220	50	240	0,52	12	1,5
AEH-30/5	300	50	240	0,52	19	2
AEH-50/6	500	60	383	0,85	24	3,3
AEH-50/12	500	120	383	0,85	25	3,8
AEH-80/6	800	60	383	0,85	25	3,3
AEH-80/12	800	120	383	0,85	26	3,8
AEH-125/6	1,250	60	330	1,1	49	10,3
AEH-125/12	1,250	120	330	1,1	54	10,3
AEH-200/6	2,000	60	450	1,2	50	10,3
AEH-200/12	2,000	120	450	1,2	55	10,3
AEH-300/6	3,000	60	550	1,3	51	10,3
AEH-300/12	3,000	120	550	1,3	56	10,3

Dados Construtivos / Constructive Data

Modelo / Model	Dimensões / Dimensions													
	A	B	C	D	E	F	G	H	I	J	L	M	N	O
AEH-23/5	20	286	40	80	34	26	12	16	12	16	20	200	70	163
AEH-30/5	25	370	40	80	77	34	15	16	16	16	18	197	85	163
AEH-50/6	30	435	60	120	157	36	18	20	20	22	23	254	85	170
AEH-50/12	30	515	60	120	157	36	18	20	20	22	23	254	85	170
AEH-80/6	30	450	60	120	157	36	18	20	20	22	23	254	85	170
AEH-80/12	30	530	60	120	157	36	18	20	20	22	23	254	85	170
AEH-125/6	40	645	40	90	121	38	25	25	25	25	35	260	112	230
AEH-125/12	40	705	40	90	121	38	25	25	25	25	35	260	112	230
AEH-200/6	40	645	40	90	121	38	25	25	25	25	35	260	112	230
AEH-200/12	40	705	40	90	121	38	25	25	25	25	35	260	112	230
AEH-300/6	40	645	40	90	121	38	25	25	25	25	35	260	112	230
AEH-300/12	40	705	40	90	121	38	25	25	25	25	35	260	112	230